

avani
environmental
www.avanienvironmental.com

FUME arms

Standard &
Custom Sizes
Available

Industrial Strength

Standing

Built In
Damper

Aluminum Hood
with optional light

All External Joints

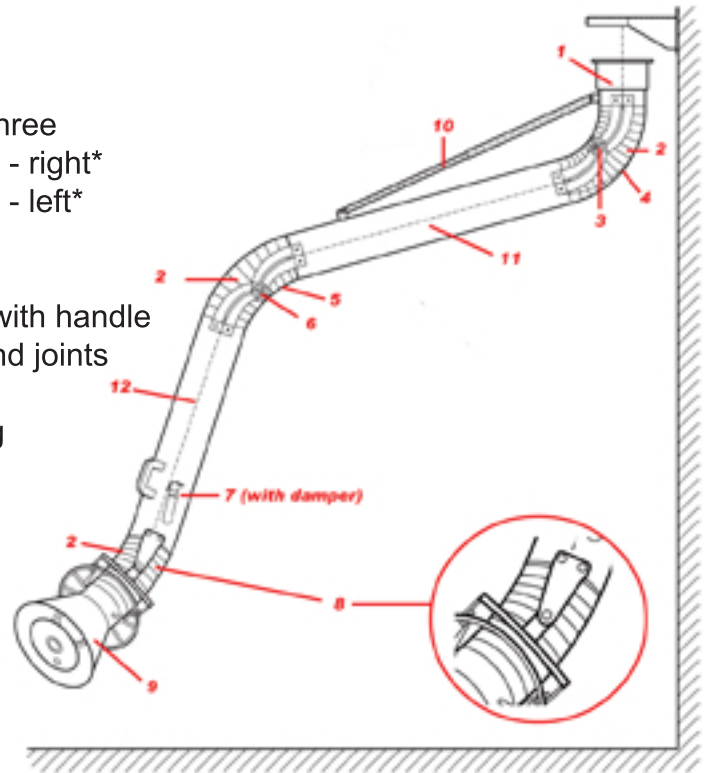
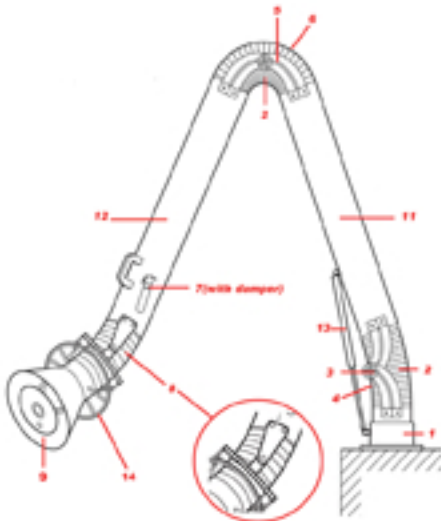
Hanging

Stainless Steel

Telescoping



- 1 Swivel base
- 2 Joint hose - set of three
- 3 Joint at swivel base - right*
- 4 Joint at swivel base - left*
- 5 Middle joint (right)*
- 6 Middle joint (left)*
- 7 Damper assembly with handle
- 8 Hood connection and joints
- 9 Hood
- 10 Telescoping spring
- 11 Tube 1
- 12 Tube 2
- 13 Gas shock
- 14 Hood ring / handle



Part Number*	Diameter	Length	Hood Diameter	CFM
710	3 in	3 ft	4 in	60 - 200
715	3 in	5 ft	4 in	60 - 200
1015	4 in	5 ft	8 in	100 - 350
1020	4 in	7 ft	8 in	100 - 350
1025	4 in	8.5 ft	8 in	100 - 350
1220	5 in	7 ft	10 in	300 - 500
1230	5 in	10 ft	10 in	300 - 500
1620	6 in	7 ft	12 in	450 - 850
1630	6 in	10 ft	12 in	450 - 850
1640	6 in	14 ft	12 in	450 - 850
2020	8 in	7 ft	14 in	750 - 1200
2030	8 in	10 ft	14 in	750 - 1200
2040	8 in	14 ft	14 in	750 - 1200

Part Number**	Diameter	Minimum Reach	Maximum Reach	Hood diameter	CFM
T616	6 in	48 in	60 in	12 in	450 - 850
T618	6 in	48 in	72 in	12 in	450 - 850
T626	6 in	72 in	96 in	12 in	450 - 850